

COMMERCIAL INTIMIDATOR[®]

AGM

FEATURES AND BENEFITS

- Lower internal resistance provides quick starting power and enhances the efficiency of the vehicle's electrical system
- Over 2x the cycle life* means better power for electronic loads when key-off power is crucial
- Up to 20x more vibration protection* resists vibration damage for better performance and longer life
- Hard-impacting case and cover resists external damage for extended use
- Tough, stainless steel terminals prevent corrosion for more power and better performance

* Compared to conventional designs



Today's heavy-duty trucks depend on batteries to do much more than crank the engine. Starting batteries alone aren't designed to withstand the continuous discharge that new auxiliary equipment demands. The Intimidator's faster recharging and 2x more cycle life* can accommodate multiple accessory loads without shortening the battery's performance and life. Features like up to 20x more vibration resistant* are critical for commercial vehicles that frequently undergo intense wear and daily abuse.

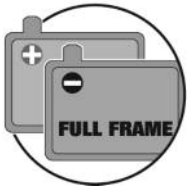
Starting & Cycling Service (Day cab, Sleeper, Pick up & Delivery, Vocational) batteries deliver intimidating power and durability to handle anything from complex on-board electronics and plug-in devices to dozens of extra lights. They are also made to deliver the quick, high-powered discharge that will bring even the toughest engines to life.

Starting & Heavy Cycling Service (HVAC, APU, Reefer Units, Extra Auxiliary Loads) batteries have a specially reinforced internal construction that withstands the multiple charging and recharging service of these demanding auxiliary powered systems. For commercial vehicles with heavy power demands, Intimidator batteries provide the industry's best deep cycle and moderate starting battery powered solution.



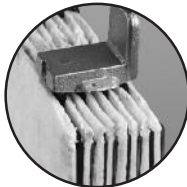
Intimidator® AGM Solutions for Intimidating Battery Needs

Intimidator is a pioneer brand in the development of the form, fit, and function of AGM battery technology. It has been tested and proven to best meet the criteria of the commercial truck industry.



POWER-PERFORM® FULL-FRAME POSITIVE & NEGATIVE PLATES

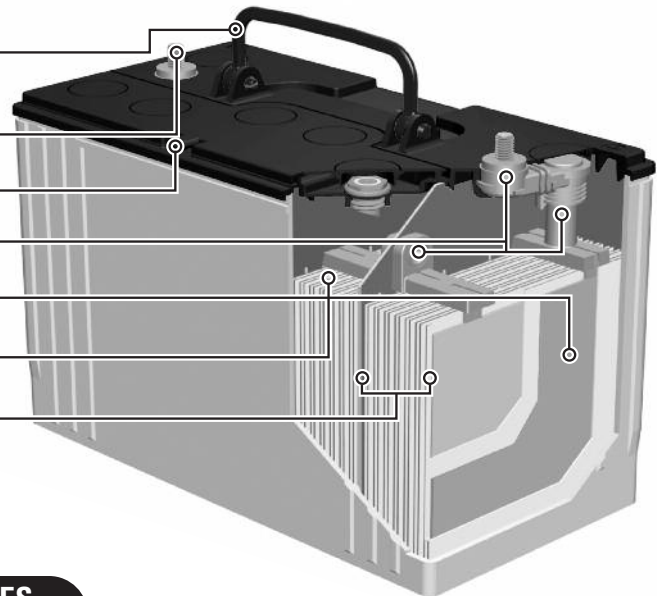
- Better withstands severe service demands
- Prevents life-robbing electrical shorts from exposed wire



ENHANCED ELECTROLYTE SUSPENSION SYSTEM

- Absorbs more electrolyte, protects internal components
- Micro-porous glass separators prevent acid spills and terminal corrosion

- 1. Convenient Handle** — maximizes ease of transport and installation (also available without handle)
 - 2. Stainless Steel Studs** — (SAE post available) resists life-robbing corrosion
 - 3. Safety Relief Valve System** — prevents capacity loss and controls pressure
 - 4. Fortified Posts, Straps, and Welds** — resist vibration damage, maximize current transfer
 - 5. Heavy-Duty Power-Perform Plates** — optimize battery's power and energy storage capacity
 - 6. Enhanced Electrolyte Suspension System** — completely absorbs electrolyte for spillproof design
 - 7. Optimized Component Compression** — provides superior vibration resistance
- **Ultra-Pure Demineralized Electrolyte** — precision filled for extended life



COMMERCIAL INTIMIDATOR® AGM BATTERIES

GROUP NO.	PART NO.	PERFORMANCE LEVEL				APPROX. WEIGHT (lbs.)	MAXIMUM OVERALL DIMENSIONS						FOOTNOTES
		CCA @ 0°F	RES. CAP.	REF. CA.	20 AH RATE		Length		Width		Height		
DUAL PURPOSE ABSORBED GLASS MAT (AGM) VALVE REGULATED													
		inch	mm	inch	mm	inch	mm	inch	mm	inch	mm		
31	9A31	925	190	1060	100	63	13	330	6 ¾	171	9 ½	241	2, 17, X
31P	9A31P	925	190	1060	100	63	13	330	6 ¾	171	9 ½	241	2, 17
31	8A31	800	200	1000	105	69	13	330	6 ¾	171	9 ½	241	2, 17, 38, 39, X

FOOTNOTES: 2. Black cover / Gray case 17. Includes handle 38. "Non-spillable" defined by DOT (Department of Transportation) definitions 39. "Non-spillable" defined by ICAO (International Commercial Airline Organization) and IATA (International Airline Transport Association) definitions X - 3/8" x 16 stainless steel stud posts (9A31P has SAE automotive posts)

Experience the East Penn Advantage

East Penn's A³™ Advanced-Cubed precision-focused manufacturing approach ensures the process behind the technology delivers critical quality at each stage of battery production. INTIMIDATOR batteries are supported by A³ manufacturing to optimize the life, power, and durability of the battery's design and performance.



QUALITY SYSTEM CERTIFIED
ISO 9001
ISO/TS 16949
ENVIRONMENTAL SYSTEM CERTIFIED
ISO 14001

EAST PENN manufacturing co., inc.

Lyon Station, PA 19536-0147 • Phone: 610-682-6361 • Fax: 610-682-4781
Order Department Hotline: 610-682-4231 • www.dekabatteries.com