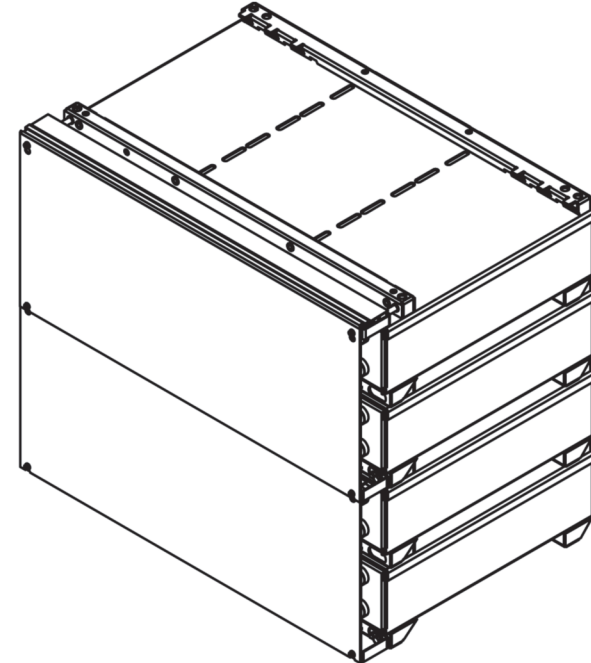
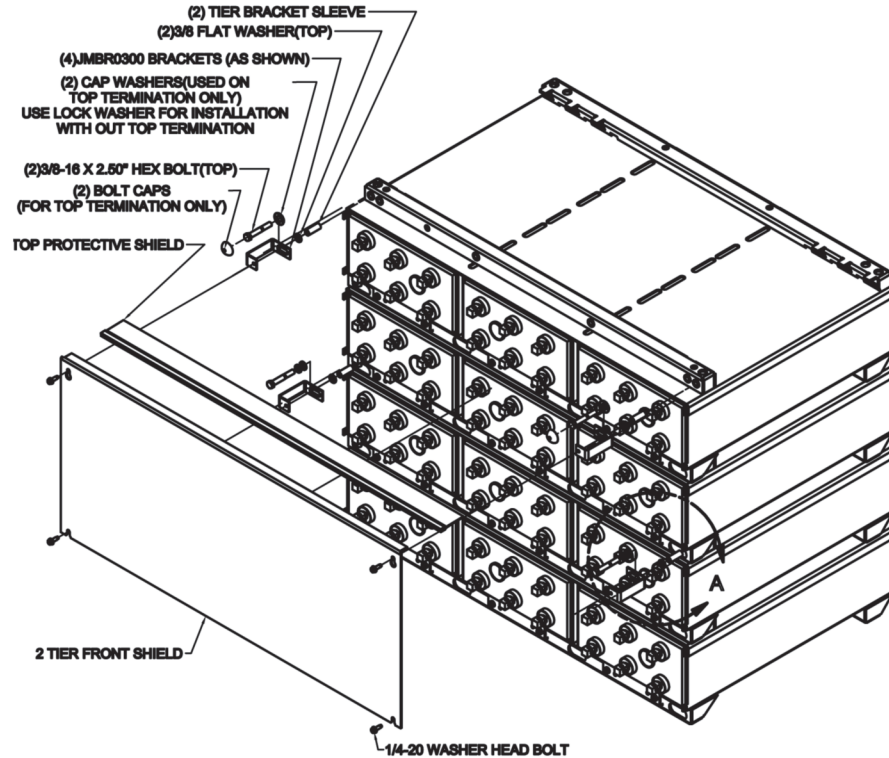


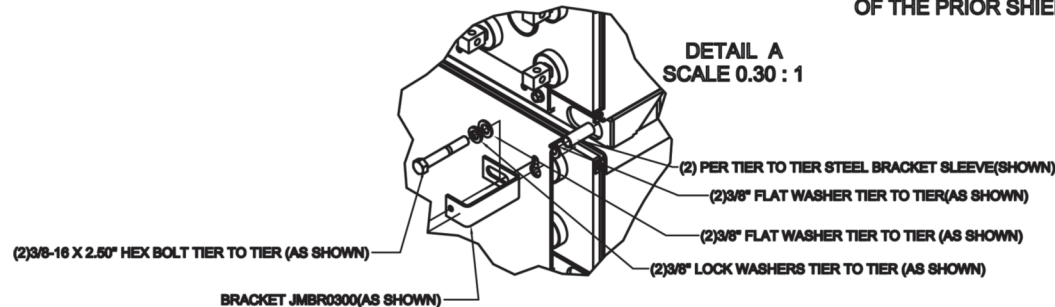
## IMPORTANT! SAFETY SHIELD SUPPLEMENT

Review this document before beginning installation.  
 Metal brackets to be installed as modules are assembled.  
 Verify module design and follow appropriate instructions.

# INTERLOCK TWO-TIER FRONT SHIELD ASSEMBLY

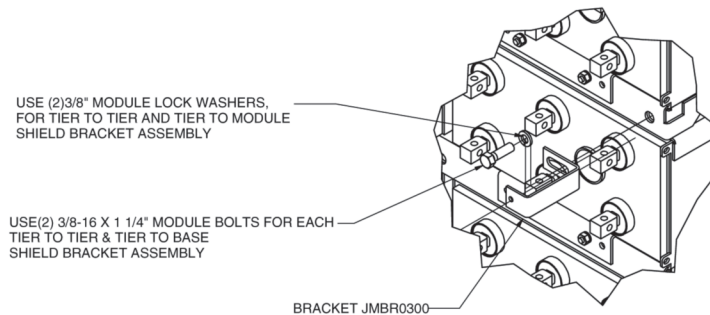
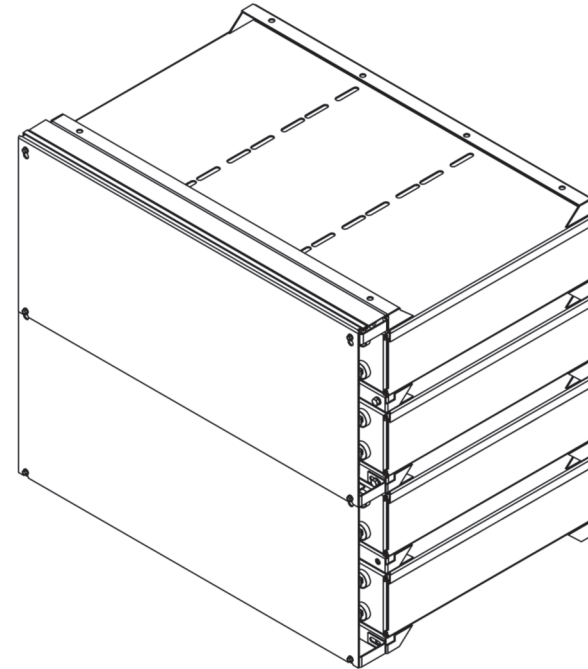
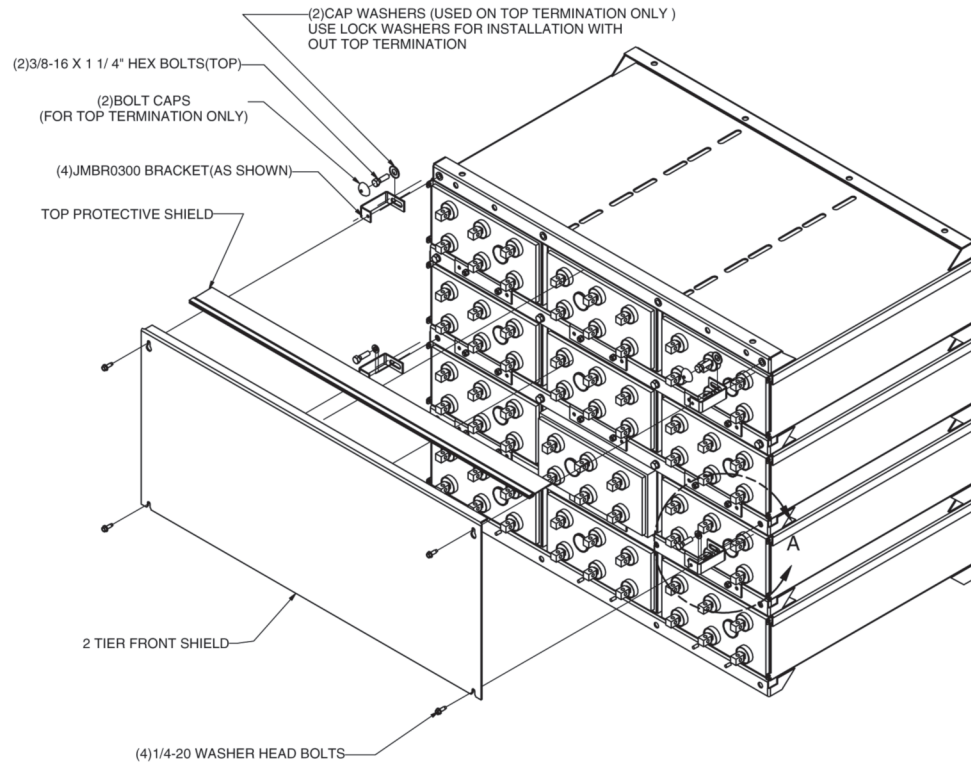


**\*NOTE: MOUNT ALL BRACKETS FIRST:  
 THEN PLACE SHIELDS ON; STARTING FROM THE BOTTOM UP.  
 THEY WILL OVER LAP EACH OTHER USING THE BRACKET BOLT  
 OF THE PRIOR SHIELD ASSEMBLY (AS SHOWN)**



**IMPORTANT! SAFETY SHIELD SUPPLEMENT**  
 Review this document before beginning installation.  
 Metal brackets to be installed as modules are assembled.  
 Verify module design and follow appropriate instructions.

# NON-INTERLOCK TWO-TIER FRONT SHIELD ASSEMBLY



\*NOTE: MOUNT ALL BRACKETS FIRST:  
 THEN PLACE SHIELDS ON; STARTING FROM THE BOTTOM UP.  
 THEY WILL OVER LAP EACH OTHER USING THE BRACKET BOLT  
 OF THE PRIOR SHIELD ASSEMBLY (AS SHOWN)

DETAIL A  
 SCALE 0.30 : 1