

**Dramatically Reduce Safety Hazards  
and Simplify Repairs with**

**Deka®**

**EZLINK™**



QUALITY SYSTEM  
CERTIFIED  
**ISO 9001**  
**ISO/TS 16949**  
ENVIRONMENTAL  
SYSTEM CERTIFIED  
**ISO 14001**



Significantly reduces battery repair costs and downtime.

**NOW BATTERY REPAIR IS AS EASY AND SAFE AS:**

- 1** Disconnect E-Z LINK cell using wrench.
- 2** Remove cell.
- 3** Insert new cell.
- 4** Reconnect E-Z LINK cell.

**PLUS ...**

Terminal cable replacement is quick and easy.

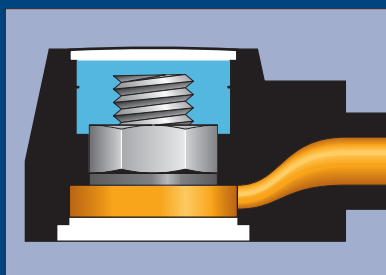
**AVAILABLE IN 9 TO 33 PLATE SIZES**



The E-Z LINK option simplifies industrial battery repair. Because connector burning is not necessary, special skills, equipment and training are not needed. Open flame around the battery is eliminated. This reduces the hazards associated with battery repair.

**IMPORTANT SAFETY NOTE: ALWAYS WEAR EYE PROTECTION WHEN WORKING AROUND BATTERIES. BATTERIES CAN EXPLODE CAUSING SEVERE INJURY.**

**FEATURES AND BENEFITS**



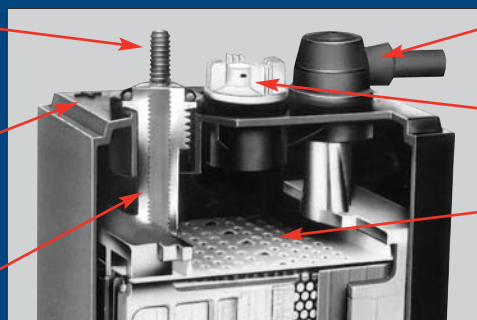
- **Highly Conductive Copper Core**...Improves current flow, battery performance and recharging, while lowering resistance.
- **Self-Locating Stud, Lock Washer & Nut Combination**... Ensures firm, positive connections with lower resistance, and fast cell and cable replacement with no special tools or training. Also maintains torque longer than other designs.
- **Special "No-Corrode" Gel**...Retards corrosion, keeping connections clean and lubricated for quick, safe and easy replacement.
- **Smooth, Round Design**...Eliminates snags and catches on battery cables for safer handling.
- **Complete Insulation**...Provides safer "Dead-Top" feature with no exposed connectors.

**Deka precision construction provides optimum performance and long life.**

**Brass Stud** – High conductivity, low resistance, self-locating.

**Cover** – Heat-sealed with lead insert bushing prevents leakage and voltage to ground.

**Post** – Special alloy for increased strength and conductivity.



**E-Z LINK Copper Core Connector** – For fast and easy cell changes.

**Vent Cap** – Quarter-turn bayonet-type simplifies watering and inspection.

**Separator Guard** – White color increases visibility for fast electrolyte check. Solid insulating fingers extend between plate lugs to prevent shorting between plates and strap.

**"POWERED FOR PERFORMANCE"®**

**EAST PENN manufacturing co., inc.**

Lyon Station, PA 19536-0147 • Phone: 610-682-6361 • Fax: 610-682-4212  
Order Department Hotline: 610-682-3260  
www.dekabatteries.com • e-mail: epmmotve@eastpenn-deka.com



UL Recognized Component