



PREMIUM
QUALITY

SPORTS POWER

ABSORBED GLASS MAT
TECHNOLOGY

Advanced
generation
technology for
performance
and life!



Ideal for ATVs,
Motorcycles,
Personal Watercraft
& Snowmobiles

The **Deka Sports Power AGM Battery** was designed for more than performance, it was designed for the enthusiast. Completely spillproof and leakproof; frequent replacement and high maintenance are over! The absorbed glass mat (AGM) technology increases power while improving rider and environmental safety. The key to this technology is the highly porous microfiber separators which completely absorb and trap the electrolyte. Molded top and side connection terminals provide versatility, increased strength and durability. The **Deka Sports Power AGM Battery** provides the most advanced power and value in the industry, so your customers can enjoy their leisure time, worry free.

WORRY FREE...

- No Vent tube
- No acid leaks to cause terminal corrosion
- Withstands damaging effects of vibration
- Environmentally friendly, 100% recyclable

MAINTENANCE FREE...

- No Filling
- No Activation
- Eliminates low water levels
- Low discharge rates for off season storage



QUALITY SYSTEM
CERTIFIED TO
ISO 9001
ISO/TS 16949
ISO 14001

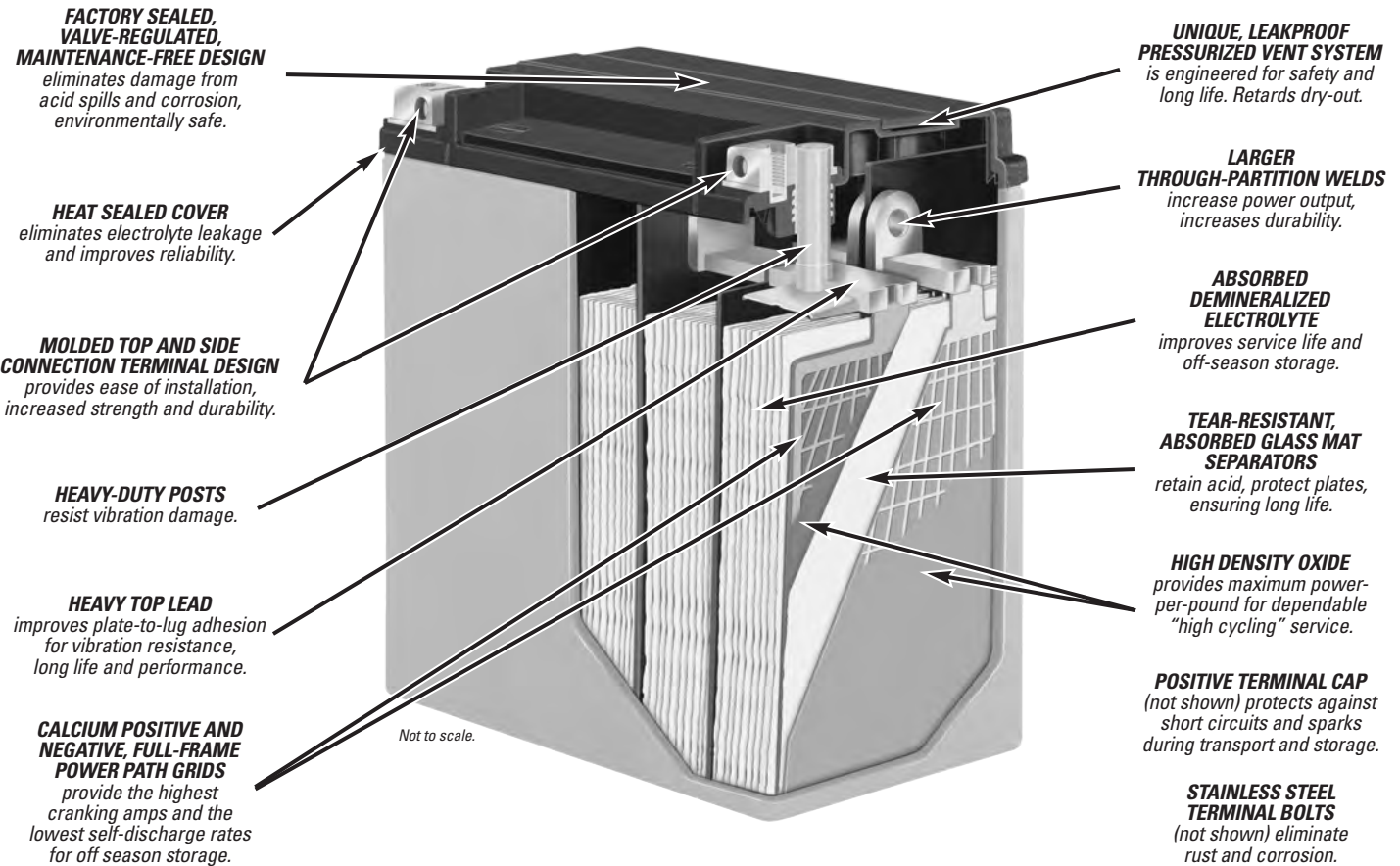
Specifically Engineered for Demanding Sports Power Use!



SPORTS POWER

ABSORBED GLASS MAT TECHNOLOGY

Premium quality, specially designed Absorbed Glass Mat batteries are manufactured under strict quality controls to assure superior performance and long life. The AGM design allows easy installation without the worry of acid spills and damage to equipment.



PART NO.	FOOT-NOTES	CCA @ 0°F	10 AH Rating	APPROX. WT.		LENGTH		WIDTH		HEIGHT		Replaces these part numbers:
				lbs.	kg	in.	mm	in.	mm	in.	mm	
ETX9	2,38,39	120	8	6.3	2.9	5 7/8	150	3 1/16	88	4 1/16	106	YTX9-BS
ETX12	2,38,39	180	10	9.4	4.3	5 1/2	150	3 1/16	88	5 1/8	130	YTX12-BS, YB12B-B2 (56)
ETX14	2,38,39,42,75,77	200	12	12.0	5.4	5 1/2	150	3 1/16	88	5 1/4	145	YTX14-BS, YTX16-BS, YTX16-BS-1, YB16B-A (56), YB16B-A1 (56)
ETX15	2,38,39,42,76	210	14	11.0	5.0	5 1/4	134	3 1/2	90	6 1/16	166	YB14-A2, YB14-B2, YB14A-A1, YB14A-A2
ETX15L	2,38,39	210	14	11.0	5.0	5 1/4	134	3 1/2	90	6 1/16	166	YB14L-A1, YB14L-A2, YB14L-B2, 12N14-3A, SYB14L-A2 (65), SYB14L-B2 (65)
ETX16	2,38,39,42,74,77	275	19	17.0	7.7	6 1/8	175	4	100	6 1/8	155	YB16-B-CX, YB16-B, Y60-N24-A (56), YB16C-B
ETX16L	2,38,39,42,74,77	275	19	17.0	7.7	6 1/8	175	4	100	6 1/8	155	YB16HL-A-CX, YB16L-B, 12N16-3B, Y60-N24AL-B (56), YB16CL-B, 12N24-3 (56), 12N24-3A (56)
ETX18L	2,38,39,77	330	20	18.0	8.2	8 1/8	206	3 3/16	91	6 1/8	163	Y50-N18L-A-CX, Y50-N18L-A-LM, Y50-N18L-A, Y50-N18L-A3, SY50-N18L-AT (65)
ETX20L	2,38,39,77	270	17.5	15.5	7.0	6 1/8	177	3 1/16	88	6 1/8	155	YTX20L-BS, YB18L-A (56)
ETX30L	2,38,39,77	365	26	21.7	9.8	6 1/8	168	5 3/16	131	6 1/8	176	YIX30L, YB30L-B, YB30CL-B (56)
ETX30LA	2,38,39,77,78	365	26	21.7	9.8	6 1/8	168	5 3/16	131	7 1/8	197	YB30CL-B

FOOTNOTES: 2 - Black cover / Gray case. 74 - Shipped with 20mm adapter
 38 - "Non-spillable" defined by DOT (Department of Transportation) definitions 75 - Shipped with two (2) 17mm adapters
 39 - "Non-spillable" defined by ICAO (International Commercial Airline Organization) 76 - Shipped with 10mm adapter
 and IATA (International Airline Transport Association) definitions 77 - Does not meet Harley-Davidson OEM specifications
 42 - Height without adapter 78 - Shipped with 22mm height adapter

"POWERED FOR PERFORMANCE"®

DISTRIBUTED BY:

EAST PENN manufacturing co., inc.

Lyon Station, PA 19536-0147 • Phone: 610-682-6361 • Fax: 610-682-4781
Order Department Hotline: 610-682-4231
 www.dekabatteries.com • e-mail: eastpenn@eastpenn-deka.com